

# Stainless steel motor

The new stainless steel motors from Heidrive have been specially developed for the food and beverage industry and for industries with very high demands on cleanliness, hygiene and corrosion protection.

Their Ecolab certification makes them ideally suited for use in the chemical or pharmaceutical industry, as well as for areas that require special cleaning or sterilization.

The sophisticated sealing concept prevents water or dust from entering the inside of the motor. No particles adhere to the dead space-free design. The stainless steel servo motor solution is perfect for use in areas with high-pressure cleaning, as it complies with protection class IP69. The smooth surface material of the drives have been developed in accordance with EHEDG and FDA guidelines.

The motor shaft, housing and flange are made of food grade stainless steel. The shaft seal is FDA compliant and also has a long lifetime even under the harshest environmental conditions. In addition, the motors are maintenance-free. The magnetic circuits of the motors are based on the proven HeiMotion series. Further outstanding features are the motor versions with integrated electronics of the HMDi06 series, because here the servo controllers are directly integrated in the motor. In combination with a built-in single or absolute encoder, a very compact drive unit is obtained.

A clear advantage of the integrated controller solution is the significantly reduced cabling effort. To round off the drive package perfectly, the drive is optionally available with a stainless steel connector qualified for this environment. In addition, gearboxes with stainless steel housing are available.



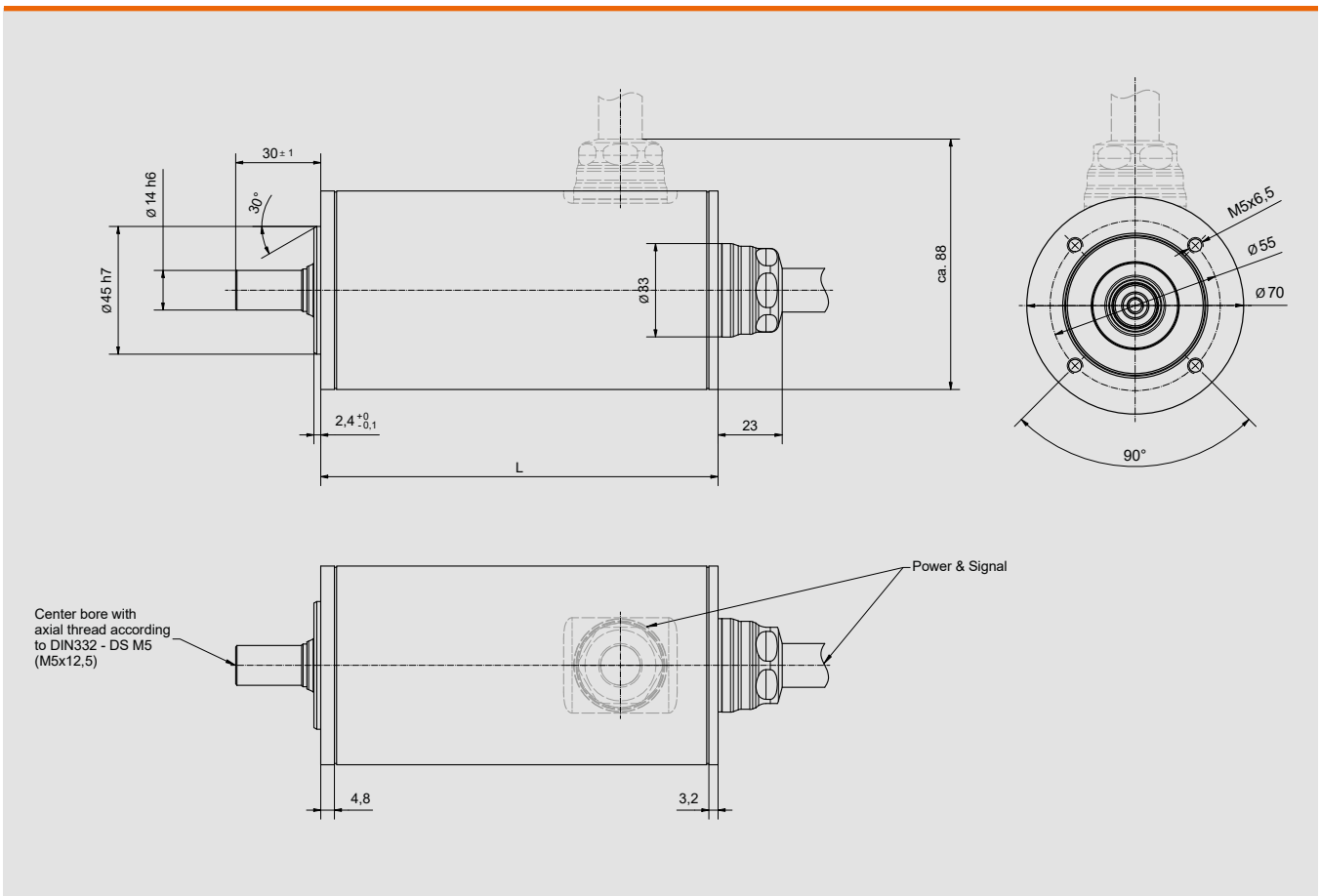
# ■ HMD06

## Technical Information

Flange dimensions	Ø 70 mm
Rated speed	3,000 rpm
Protection class	IP69
Power / Signal plug	One cable solution axial / radial
Encoders	Resolver, incremental encoders, absolute encoders, hall encoders

Motor type	$M_o$ [Nm]	$M_n$ [Nm]	$U_{bus}$ [V <sub>DC</sub> ]	$n_n$ [min <sup>-1</sup> ]	$P_n$ [W]	L [mm]
HMD06-011	0.7	0.7	24/48 320/560	3,000	220	115
HMD06-019	1.3	1.2	24/48 320/560	3,000	380	140
HMD06-026	1.8	1.75	24/48 320/560	3,000	550	165

## Dimensions



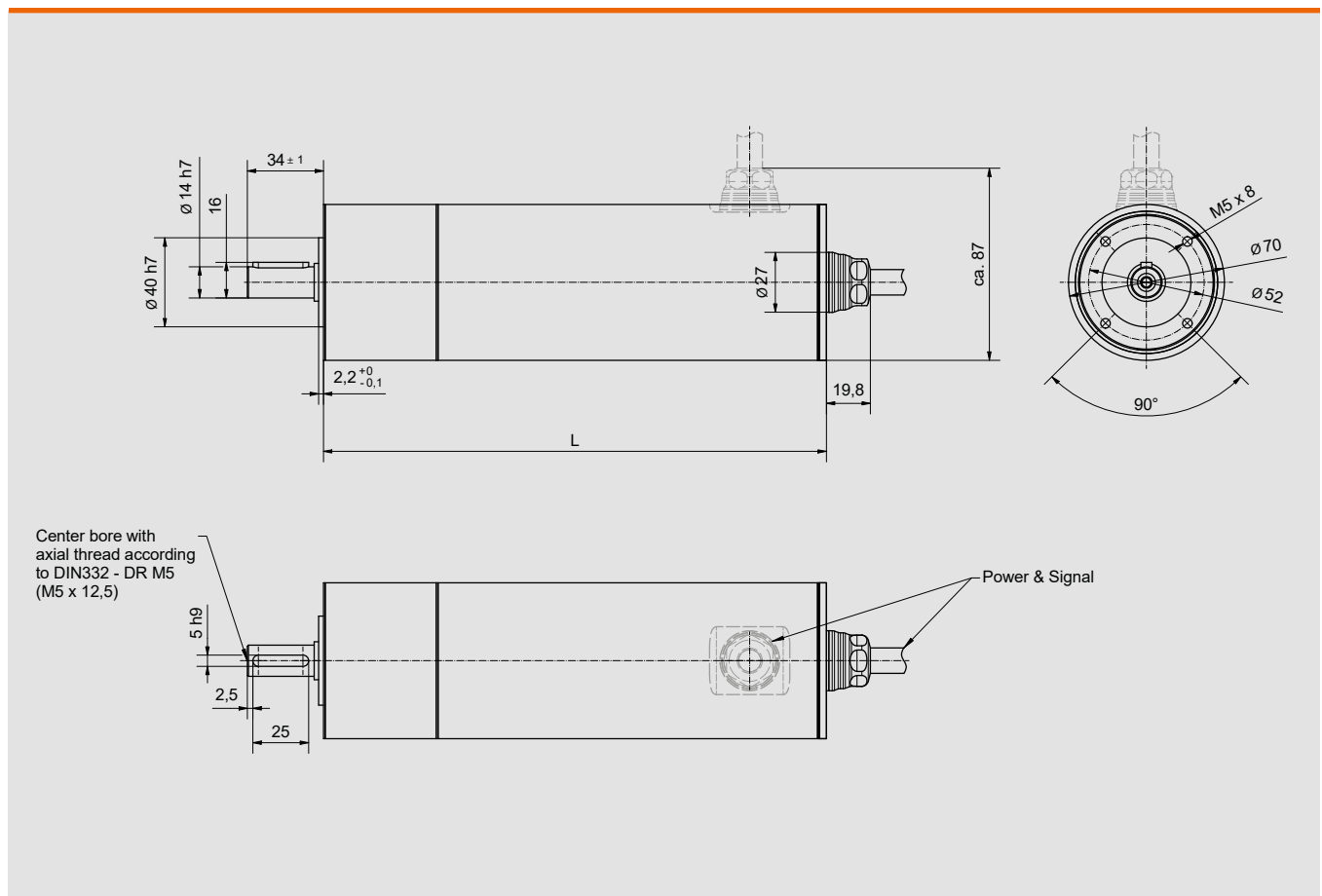
# ■ HMD06 with planetary gear

## Technical Information

Flange dimensions	Ø 70 mm
Rated speed	47 - 1,000 rpm
Protection class	IP69 / IP54
Power / Signal plug	One cable solution axial / radial
Encoders	Resolver, incremental encoders, absolute encoders, hall encoders

Motor type	$M_o$ [Nm]	$M_n$ [Nm]	$U_{bus}$ [V <sub>DC</sub> ]	$n_n$ [min <sup>-1</sup> ]	$P_n$ [W]	L [mm]
HMD06-011	2.0 - 29.0	2.0 - 26.3	24/48 320/560	1000 - 47	205	175 - 187.5
HMD06-019	3.8 - 48.9	3.5 - 40.0	24/48 320/560	1000 - 47	360	200 - 212.5
HMD06-026	5.3 - 64.0	5.1 - 44.0	24/48 320/560	1000 - 47	510	225 - 237.5

## Dimensions

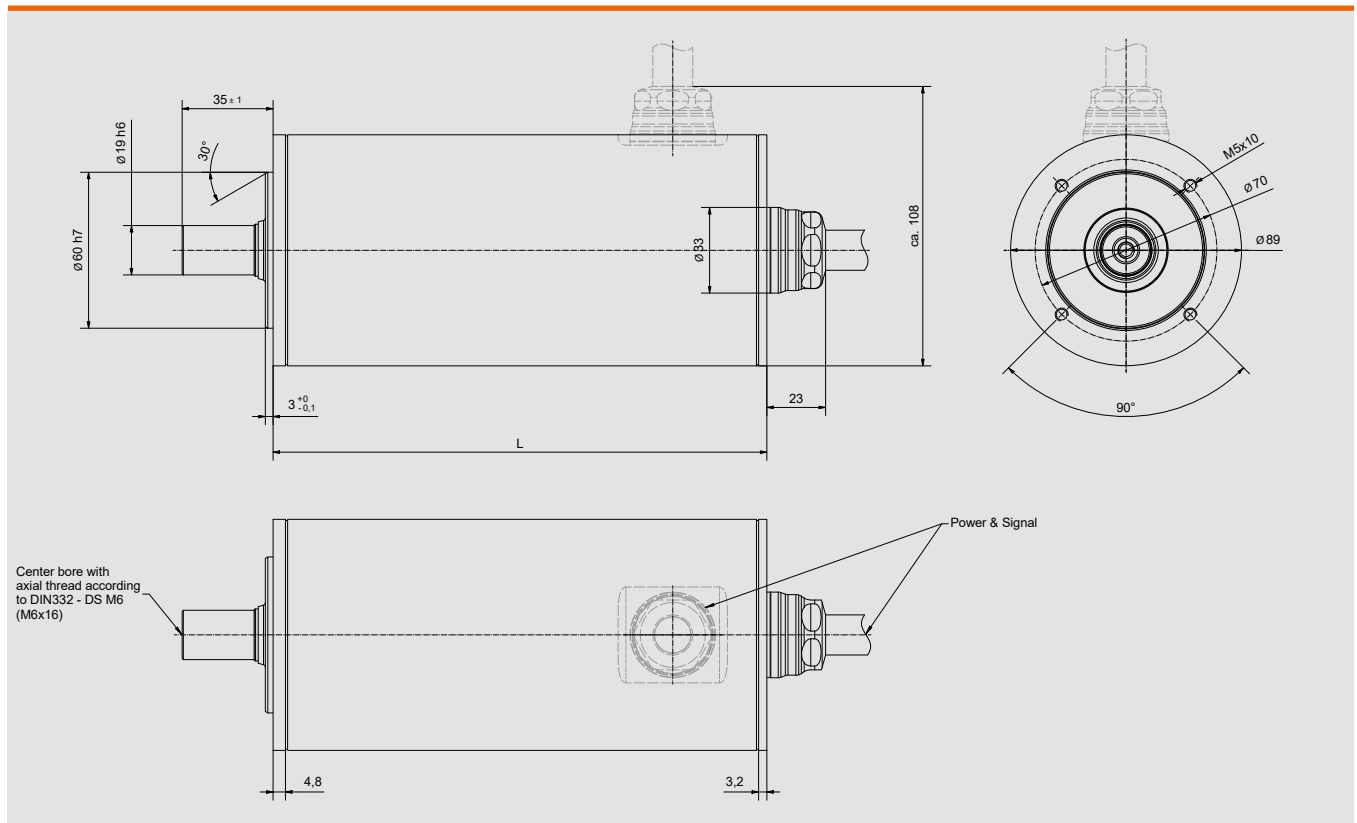


## Technical Information

Flange dimensions	Ø 89 mm
Rated speed	3,000 rpm
Protection class	IP69
Power / Signal plug	One cable solution axial / radial Optional: Stainless steel plug
Encoders	Resolver, incremental encoders, absolute encoders, hall encoders

Motor type	$M_o$ [Nm]	$M_n$ [Nm]	$U_{bus}$ [V <sub>DC</sub> ]	$n_n$ [min <sup>-1</sup> ]	$P_n$ [W]	L [mm]
HMD08-024	1.7	1.6	24/48 320/560	3,000	500	130
HMD08-032	2.3	2.1	24/48 320/560	3,000	675	145
HMD08-042	2.9	2.7	24/48 320/560	3,000	850	160
HMD08-057	4.0	3.9	48 320/560	3,000	1.210	190

## Dimensions



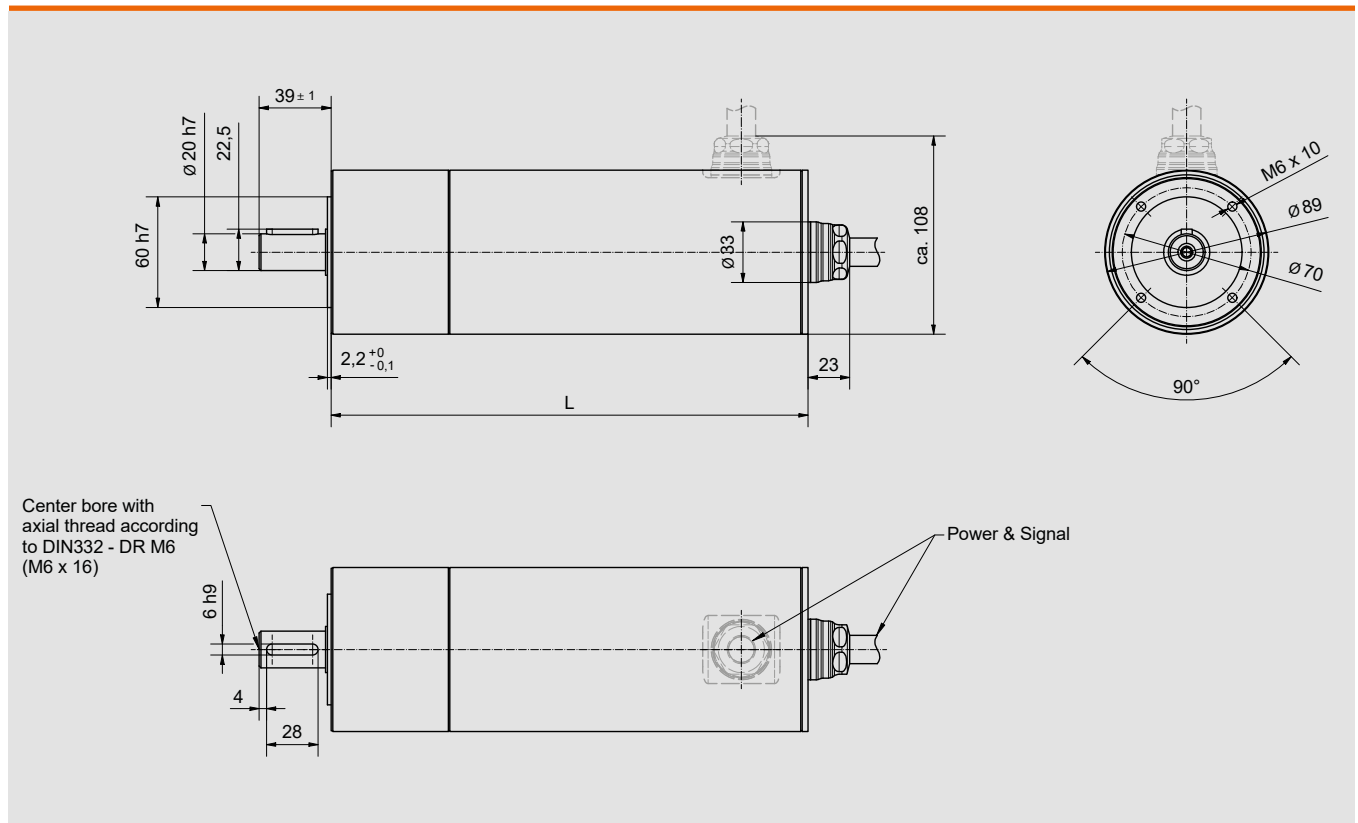
# ■ HMD08 with planetary gear

## Technical Information

Flange dimensions	Ø 89 mm
Rated speed	3,000 rpm
Protection class	IP69 / IP54
Power / Signal plug	One cable solution axial / radial Optional: Stainless steel plug
Encoders	Resolver, incremental encoders, absolute encoders, hall encoders

Motor type	$M_o$ [Nm]	$M_n$ [Nm]	$U_{bus}$ [V <sub>DC</sub> ]	$n_n$ [min <sup>-1</sup> ]	$P_n$ [W]	L [mm]
HMD08-024	5.0 - 80.0	4.7 - 60.2	24/48 320/560	1000 - 47	470	200 - 217.5
HMD08-032	6.7 - 86.5	6.1 - 79.0	24/48 320/560	1000 - 47	615	215 - 232.5
HMD08-042	8.5 - 103.2	7.9 - 101.5	24/48 320/560	1000 - 47	790	230 - 247.5
HMD08-057	11.7 - 150.4	11.4 - 118.6	48 320/560	1000 - 47	1140	260 - 277.5

## Dimensions

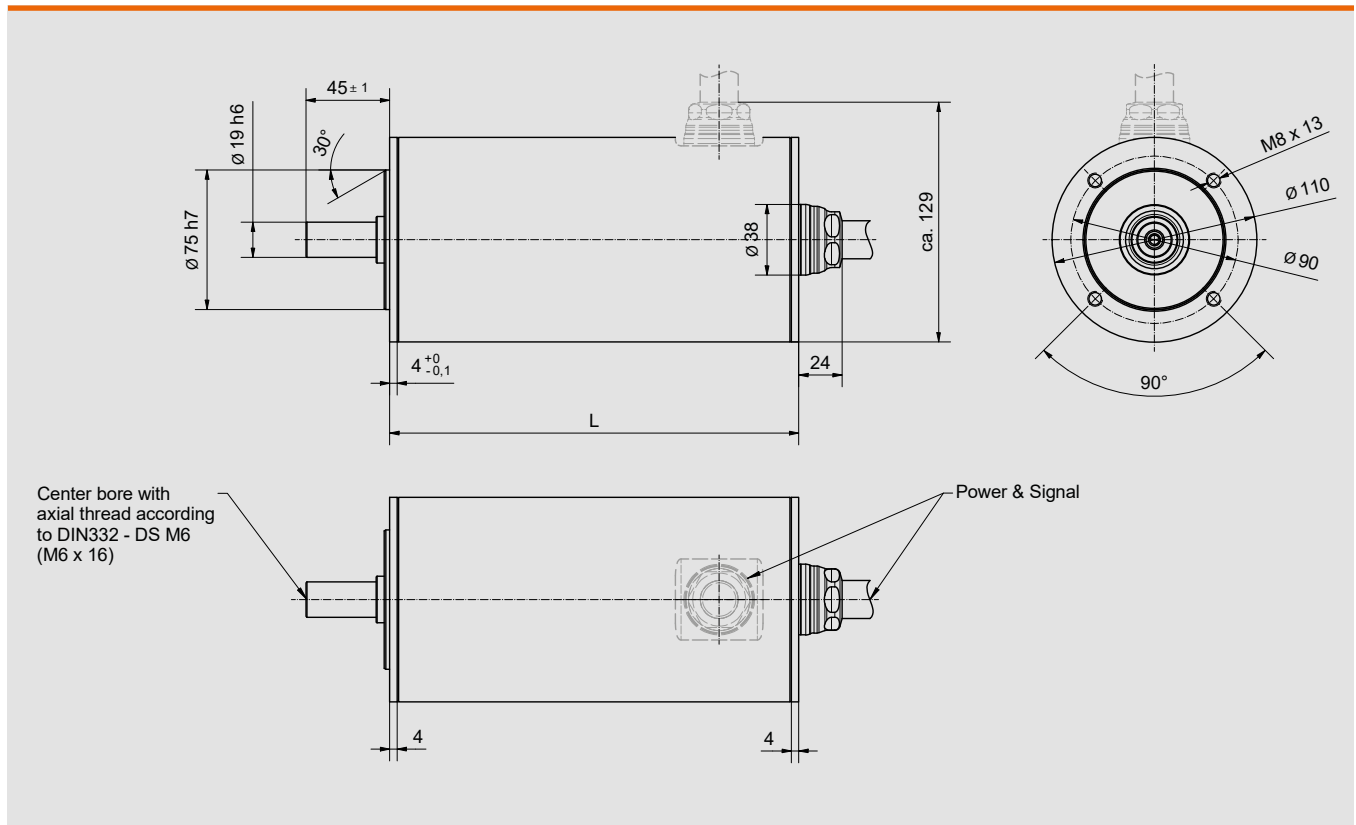


## Technical Information

Flange dimensions	Ø 110 mm
Rated speed	3,000 rpm
Protection class	IP69
Power / Signal plug	One cable solution axial /radial Optional: Stainless steel plug
Encoders	Resolver, incremental encoders, absolute encoders, hall encoders

Motor type	$M_o$ [Nm]	$M_n$ [Nm]	$U_{bus}$ [V <sub>DC</sub> ]	$n_n$ [min <sup>-1</sup> ]	$P_n$ [W]	L [mm]
HMD10-039	2.7	2.5	48 320/560	3,000	785	160
HMD10-057	4.0	3.6	48 320/560	3,000	1130	175
HMD10-076	5.3	4.5	48 320/560	3,000	1410	190
HMD10-105	7.3	6.0	48 320/560	3,000	1885	220

## Dimensions



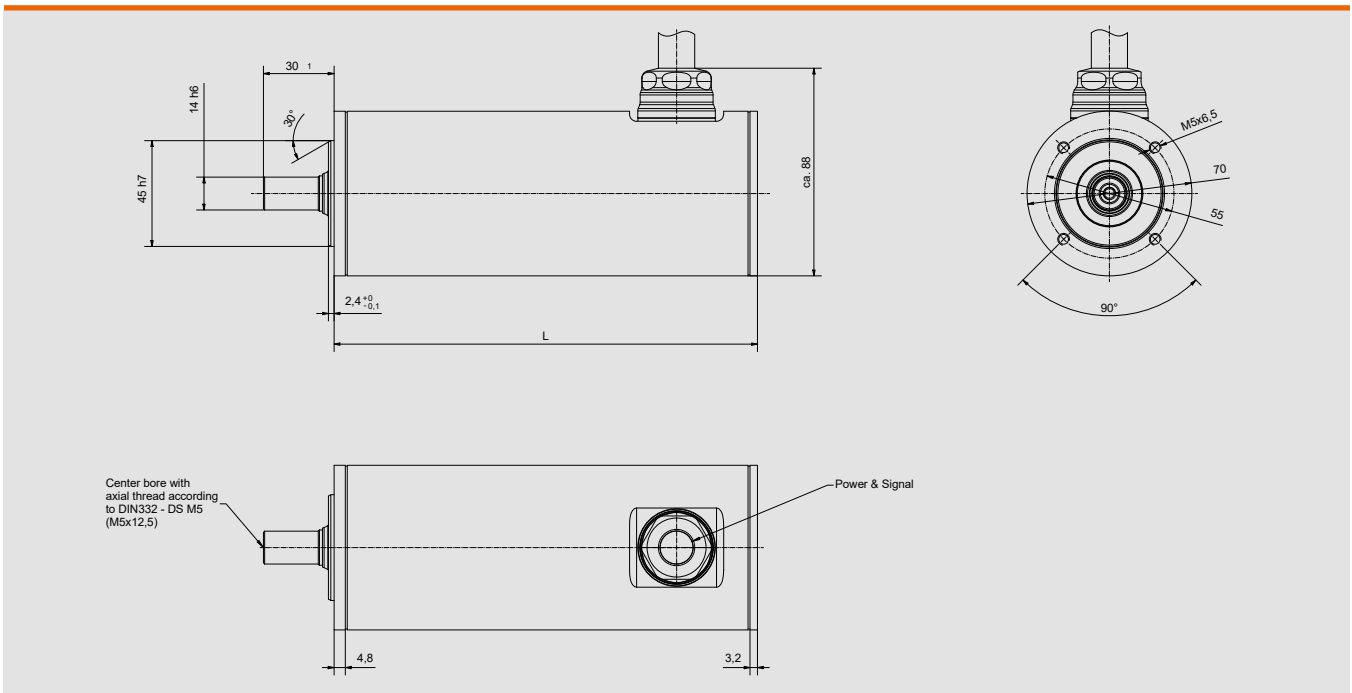
# ■ HMDio6 with integrated electronics

## Technical Information

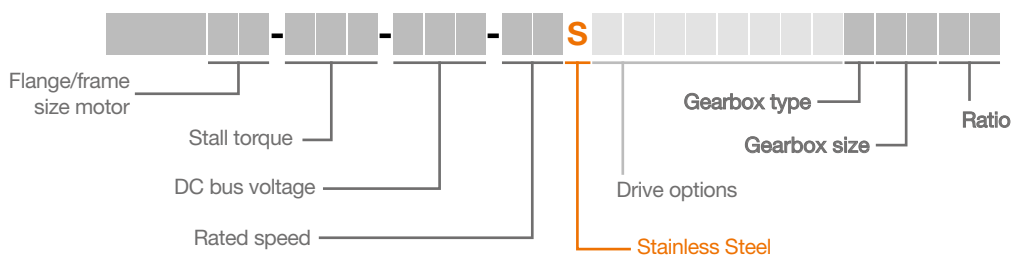
Flange dimensions	Ø 70 mm
Rated speed	3,000 rpm
Protection class	IP69
Power / Signal plug	One cable solution radial
Interfaces	CANopen

Motor type	$M_o$ [Nm]	$M_n$ [Nm]	$U_{bus}$ [V <sub>DC</sub> ]	$n_n$ [min <sup>-1</sup> ]	$P_n$ [W]	L [mm]
HMD06-010	0.24	0.19	24/48	3,000	60	135
HMD06-015	0.40	0.32	24/48	3,000	100	155
HMD06-020	0.60	0.48	24/48	3,000	150	180

## Dimensions



## Order code - example



Technical data subject to change! Last changes: 11/2021



**Heidrive GmbH**

Starenstraße 23  
93309 Kelheim

Tel. 09441/707-0  
Fax 09441/707-259

info@heidrive.de  
www.heidrive.com