

Angular gearbox with Direct Mounting

Angular gearbox stage for HeiMotion Servo modular system

The angular gear stage is available in two transmission ratios ($i=1$ and $i=2$). These can be combined with the Heidrive planetary gears from the HMPG and HMDG series in any order, resulting in up to 120 different combinations.

Due to the ratio $i=2$ in the angle, a reduction to a 1-stage planetary gear at the output can be achieved in many applications, which lowers the costs and space requirements significantly.

The angle gearbox is made of a lightweight die-cast aluminum body and stands out with its thermally optimized and compact design. In addition to its efficiency-optimized bevel gears with low noise emission, it also offers a reduced torsional backlash. The gear units are maintenance-free due to a lifetime lubrication with grease.



Angular gearbox

Order code

Order designation: HMP06-015-320-30-BPR1PY17ED616

Gear type*

- Economy series → E
- Powerful economy → P
- Heavy duty → H
- Flange output → F¹⁾
- Vehicle optimized → V^{1),2)}

Mounting variant

Angular gear

V1(i=1) A	40 mm → 4
V1(i=2) B	50 mm → 5
V2(i=1) C	60 mm → 6
V2(i=2) D	60/70 mm → 7
V3(i=1) E	80 mm → 8
V3(i=2) F	80/90 mm → 9
V4(i=1) G	
V4(i=2) H	

Gear size*

Complete ratio

i_{ges}	Winkel i=1	Winkel i=2
	(Variante A,C,E,G)	(Variante B,D,F,H)
03	x ³⁾	-
04	x ³⁾	-
05	x ³⁾	-
06	-	x ³⁾
07	x ³⁾	-
08	-	x ³⁾
09	x	-
10	-	x ³⁾
12	x	-
14	-	x ³⁾
15	x	-
16	x	x ³⁾
18	-	x
20	x	x ³⁾
24	-	x
25	x	-
30	-	x
32	-	x
40	-	x
50	-	x
64	-	x
80	-	x

Possible combinations

Motor size	Angle size	Planetary gear size
40	40	40
60	60	60
80	60	60
80	80	80
100	80	80

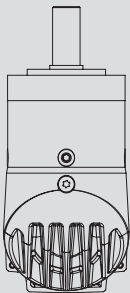
*See also catalog HMXG

1) Combinations of motor size 80 with angle 60 and motor size 100 with angle 80 not possible for technical reasons.

2) Mounting variants V1 not possible for mounting reasons.

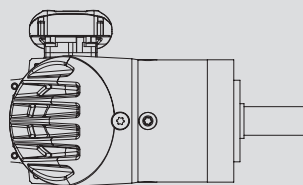
3) Total gear ratio not possible for gear unit type V, as single-stage V gear units are not available.

Explanation of the order key



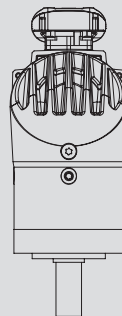
Mounting variant V1
Encryption:

- A i=1 Angular toothing
- B i=2 Angular toothing



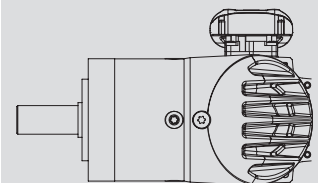
Mounting variant V2
Encryption:

- C i=1 Angular toothing
- D i=2 Angular toothing



Mounting variant V3
Encryption:

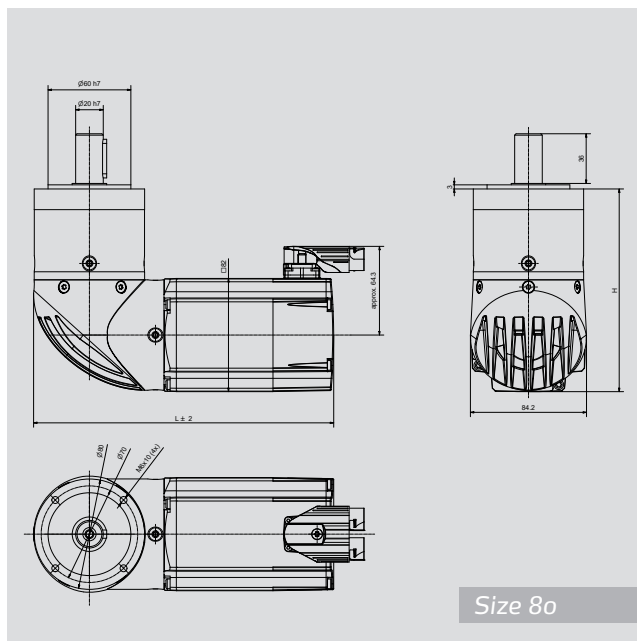
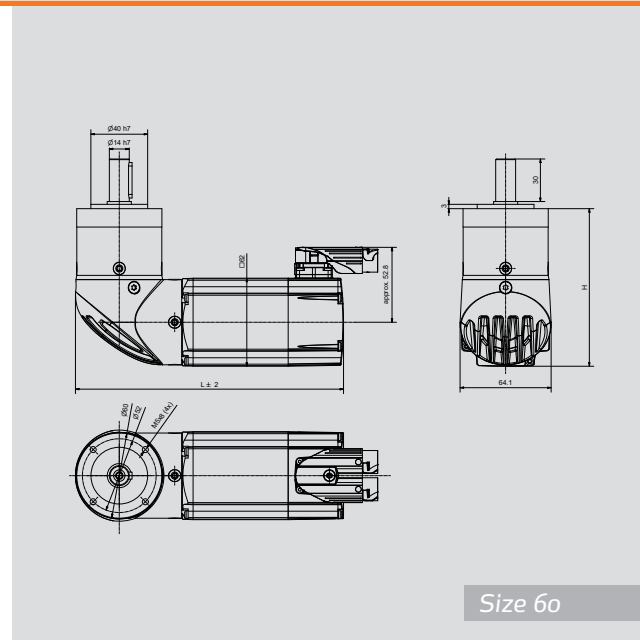
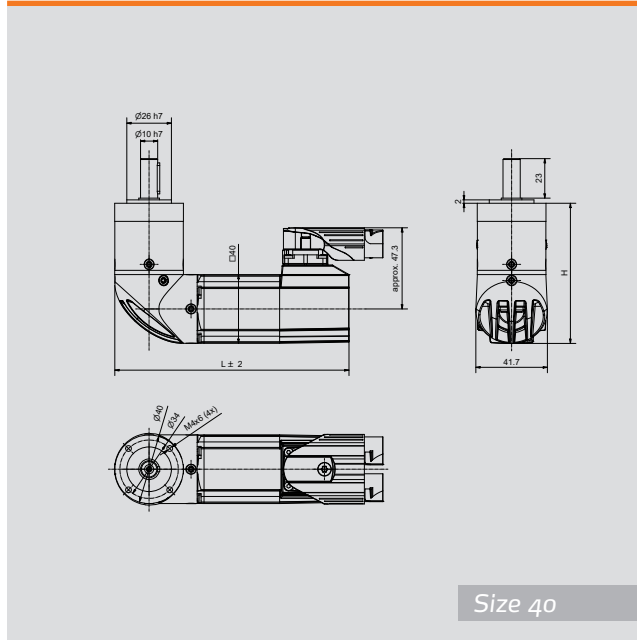
- E i=1 Angular toothing
- F i=2 Angular toothing



Mounting variant V4
Encryption:

- G i=1 Angular toothing
- H i=2 Angular toothing

Dimensions - Example of Economy series Gearbox from the HMXG modular system



Motor type		L [mm]	H [mm]	
HMP04-002	without Brake	136.0	1-stage:	81.6
	with Brake	172.0		
HMP04-004	without Brake	161.0	2-stage:	94.6
	with Brake	197.0		
HMP06-007	without Brake	195.9	1-stage:	111.0
	with Brake	229.9		
HMP06-015	without Brake	225.9	2-stage:	123.5
	with Brake	259.9		
HMD06-011	without Brake	165.6	1-stage:	111.0
	with Brake	205.1		
HMD06-019	without Brake	190.6	2-stage:	123.5
	with Brake	230.1		
HMD06-026	without Brake	220.6	1-stage:	146.9
	with Brake	260.1		
HMP08-028	without Brake	251.5	2-stage:	164.4
	with Brake	293.5		
HMP08-035	without Brake	271.5	1-stage:	146.9
	with Brake	313.5		
HMD08-024	without Brake	201.0	2-stage:	164.4
	with Brake	249.5		
HMD08-032	without Brake	216.0	1-stage:	146.9
	with Brake	264.5		
HMD08-042	without Brake	231.0	2-stage:	164.4
	with Brake	279.5		
HMD08-057	without Brake	261.0	1-stage:	146.9
	with Brake	309.5		

Technical data subject to change! Last changes: 11/2022

Heidrive GmbH

Starenstraße 23
93309 Kelheim

Tel. 09441/707-0
Fax 09441/707-259

info@heidrive.de
www.heidrive.com

